

Plug and Socket Coil Unit

CALL: +44 (0)1254 872277
E-MAIL: sales@pneumatrol.com



DESCRIPTION

Plug and Socket safe area coil.

FEATURES

- PG.9 cable gland. (cable diameter 6 - 8mm)
- Protection class IP65 according to ENBS60529
- Plug connector DIN 43650 - Form A / ISO 4400
- Continuously rated
- Maximum permitted voltage variation $\pm 10\%$
- Maximum ambient temperature $+80^{\circ}\text{C}$
- Low power consumption
- Wide range of voltages available

PRODUCT CODE: AV6360P00



VOLTAGE

SEE BELOW FOR
PRODUCT CODE
DETAILS

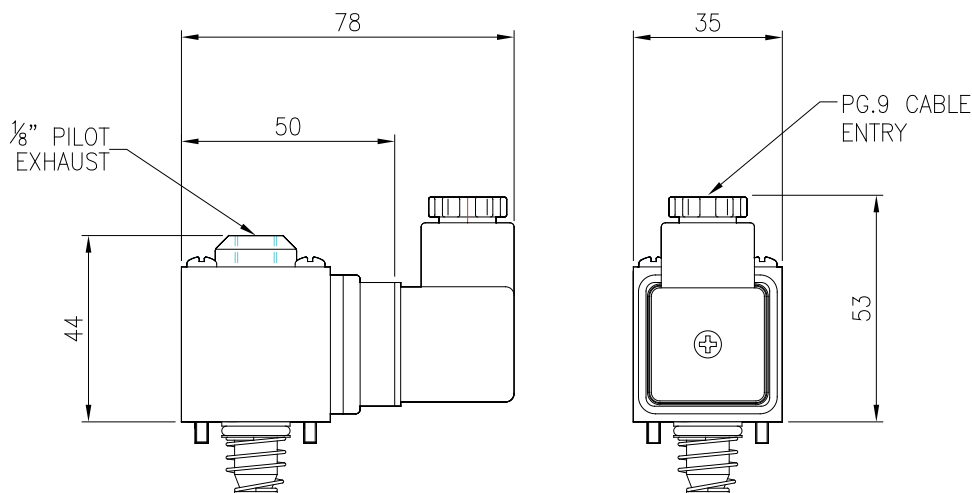
Any of the below options that are not required enter '0' in relevant box.

Standard Voltage

B	24v DC
H	24v DC Low Power
R	24v AC (50/60 Hz)
T	110v AC (50/60 Hz)
N	220v AC (50/60 Hz)
U	240v AC (50/60 Hz)

* A comprehensive range of non-standard voltages available on request

DIMENSIONS (mm)



MATERIAL SPECIFICATIONS

STANDARD

Coil Case	Zinc Alloy Epoxy Powder Coated
Plug Connector	Polyamide +30% Glass Filled
Armature and Fixed Pole Piece	Magnetic Solenoid Quality Stainless Steel
Springs	Stainless Steel
Seals and Seats	Viton
Coil Former	30% Glass Filled PBR
Magnetic Wire	Class H Coated Copper

SOLENOID SPECIFICATIONS

Coil Type	DC Solenoid Coil	AC Solenoid
Voltage Standard	24	24, 110, 220, 240 (50/60 Hz)
Voltage Tolerance	±10%	±10%
Ambient Temperature	-20 to +80°C	-20 to +80°C
Duty Cycle	100%	100%
Degree Of Protection	IP65	IP65
Electrical Connection	PG.9 Cable Gland	PG.9 Cable Gland
Power Consumption	2.4W or 1.3 W	Pull In - 10VA, Holding - 5VA
Pressure Range	0 - 10 Bar	0 - 10 Bar