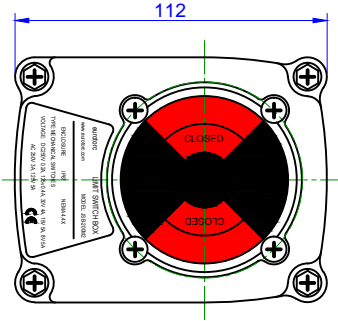
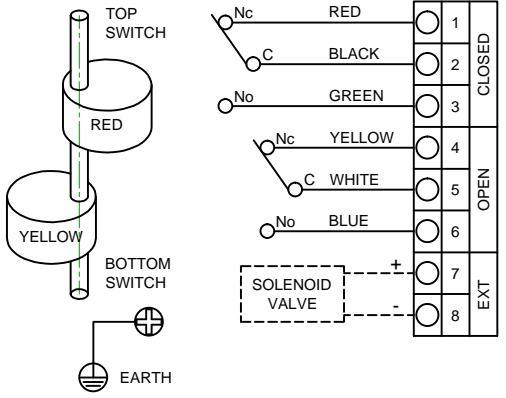
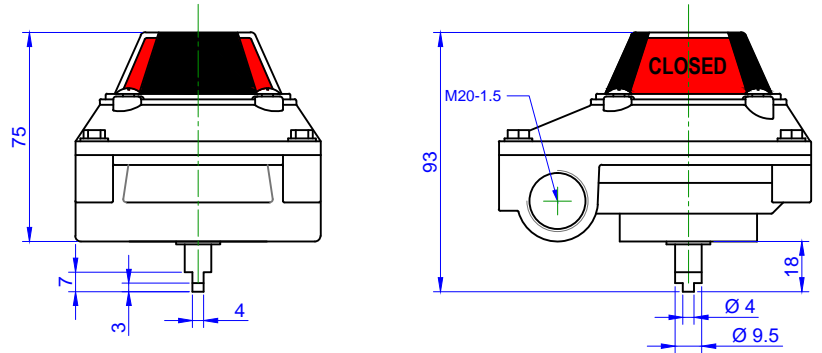


Standard Specification (M2)

Enclosure:	Die-Cast Aluminium with Black Polyester Powder Coating (O-ring Sealed)
O-Rings:	Buna N
Enclosure Rating:	IP67
Cable Entries:	Qty 2 - M20x1.5
Temperature Range:	-20°C - +85°C
Position Indicator:	Beacon Style Indicator (Open-Yellow; Closed-Red)
Terminal Strips:	8 Way (2 spare terminals)
Mounting Bracket:	Supplied with a Stainless Steel Bracket & Fasteners
Switch Rating	0-250V AC / DC
Microswitches:	2 x V3 SPDT Mechanical
Namur Shaft	Stainless Steel
Switch Cams	Quickset Spring Loaded



Options:  
 P2 - 2 x 2-wire Proximity Sensors  
 P3 - 2 x 3-wire Proximity Sensors

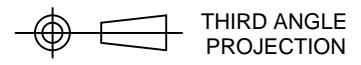


Bracket	A	B	C	Application
MBP-100	80	30	30	80 x 30 x 20
MBP-200	80	30	40	80 x 30 x 30
MBP-300	130	30	40	130 x 30 x 30
MBP-400	130	30	60	130 x 30 x 50

**DESCRIPTION:**

**EUROTORC 'JSB-200'**  
**IP67 WEATHERPROOF SWITCHBOX**

REV	DATE	DESCRIPTION OF REVISION	SIGN
1	07/09/18	DESCRIPTIONS UPDATED	SMP



EUROTORC  
 sales@eurotorc.com  
 www.eurotorc.com



DRAWN SMP  
 DATE 22/01/16  
 APPROVED

THIS DRAWING IS THE PROPERTY OF EUROTORC AND MUST NOT BE COPIED, LENT OR USED IN PART OR IN WHOLE WITHOUT WRITTEN CONSENT.